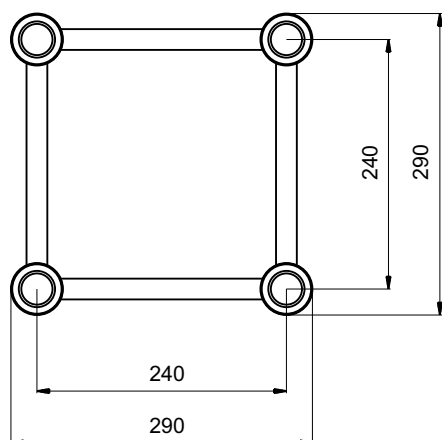
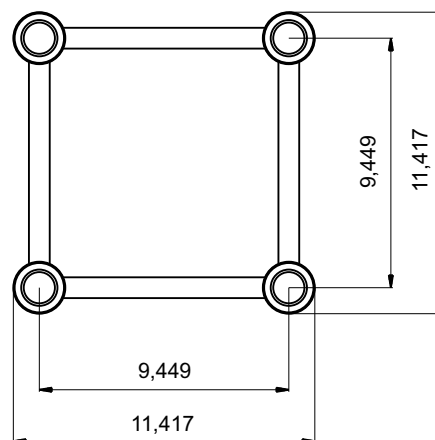


SIZE IN MILLIMETERS



SIZE IN INCHES



SPECIFICATIONS HT34

| | |
|--------|-------------------------|
| TUBES | 50x3mm (2 x 0.12inch) |
| BRACES | 20x2mm (0.8 x 0.08inch) |
| ALLOY | EN-AW 6082 T6 |



STRAIGHT SEGMENT LENGTHS HT34

| CODE | LENGTH | | WEIGHT | |
|-----------|--------|---------|--------|----------|
| HT34-50 | 0.5m | 1.64ft | 4.4kg | 9.66lbs |
| HT34-75 | 0.75m | 2.46ft | 5.9kg | 12.92lbs |
| HT34-87,5 | 0.875m | 2.87ft | 6.1kg | 13.52lbs |
| HT34-100 | 1m | 3.28ft | 7.4kg | 16.27lbs |
| HT34-125 | 1.25m | 4.10ft | 9.0kg | 19.91lbs |
| HT34-150 | 1.5m | 4.92ft | 10.5kg | 23.20lbs |
| HT34-200 | 2m | 6.56ft | 13.7kg | 30.12lbs |
| HT34-215 | 2.15m | 7.05ft | 13.3kg | 29.33lbs |
| HT34-250 | 2.5m | 8.20ft | 16.8kg | 37.02lbs |
| HT34-275 | 2.75m | 9.02ft | 18.4kg | 40.57lbs |
| HT34-300 | 3m | 9.84ft | 19.9kg | 43.95lbs |
| HT34-350 | 3.5m | 11.48ft | 23.1kg | 50.85lbs |
| HT34-400 | 4m | 13.12ft | 26.2kg | 57.77lbs |
| HT34-450 | 4.5m | 14.76ft | 29.3kg | 64.65lbs |
| HT34-500 | 5m | 16.40ft | 32.4kg | 71.44lbs |

LOADING TABLES HT34

| | 2m | 4m | 6m | 8m | 10m | 12m |
|-----------------------|---------------|----------------|----------------|----------------|----------------|----------------|
| Distrib. Load [kg/m] | 1420 | 707 | 344 | 193 | 121 | 82 |
| Deflection [mm] | 1.7 | 13.3 | 33.2 | 59.8 | 93.9 | 134.8 |
| Point load [kg] | 2840 | 1544 | 1033 | 771 | 607 | 491 |
| Deflection [mm] | 2.7 | 11.7 | 26.7 | 48.3 | 76.2 | 110.1 |
| | 6.56ft | 13.12ft | 19.68ft | 26.24ft | 32.81ft | 37.37ft |
| Distrib. Load [lb/ft] | 954.3 | 475.1 | 231.2 | 129.7 | 81.3 | 55.1 |
| Deflection [inch] | 0.1 | 0.5 | 1.3 | 2.4 | 3.7 | 5.3 |
| Point load [lb] | 6262.2 | 3404.5 | 2277.8 | 1700.1 | 1338.4 | 1082.7 |
| Deflection [inch] | 0.1 | 0.5 | 1.1 | 1.9 | 3 | 4.3 |